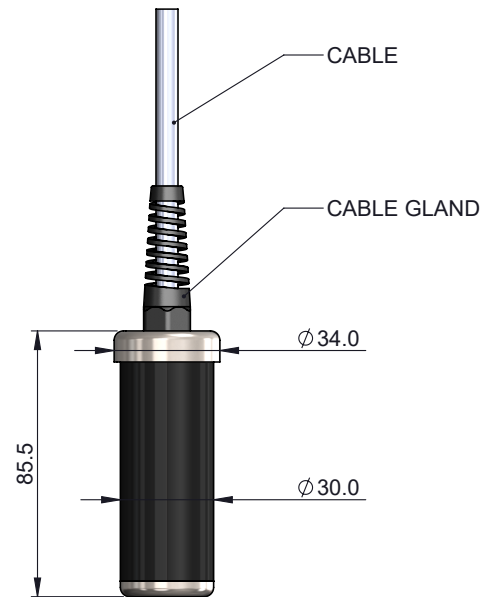




### Product Summary

The Capacitive FOG Probe is designed to monitor for excessive fat, oil and grease (FOG) levels within grease separator tanks.

The sensor works by detecting a change in its electrical field's capacitance, which occurs when grease, oil or any material with a different dielectric constant than water enters the sensor's range. When the sensor is triggered, it sends an alarm signal back to the control panel.



### Specifications

Model	PP/DGP-1
Enclosure	85.5mm(L) x 30mm(Dia) IP68
Material	S303, plastic
Cable	Fixed 3-core 0.5mm <sup>2</sup> . Length 5m. Can be extended externally to 200m.
Weight	390g (including 5m cable)
Operating Temperature	-20°C ... +50°C (ambient temperature)
Specific Marking of Explosion Protection	II 1 G Ex ia IIB T4 Ga (-20°C ≤ Ta ≤ +50°C)
ATEX Certification	CML 23ATEX2127X, CML 23UKEX2128X, IECEx CML 23.0044X
U <sub>i</sub>	8.2V
I <sub>i</sub>	110mA
P <sub>i</sub>	225mW
C <sub>i</sub>	7.1μF
L <sub>i</sub>	60μH

Email: [sales@darcy.co.uk](mailto:sales@darcy.co.uk)

Call: 0800 0370 899 or +44 (0)1732 762338