



Product Summary

The Darcy silt probe PP/14220 has been replaced by the new Darcy silt probe PP/PROBE/SILT-1.

The new silt probe has been completely redesigned to a new, more robust housing providing greater protection to the optical sensors.

Too much silt in a separator tank reduces its storage capacity and therefore increases the risk of a pollution incident.

The Darcy Silt Probe is simply suspended within the separator tank to a depth required to detect the maximum amount of silt allowed.

Benefits

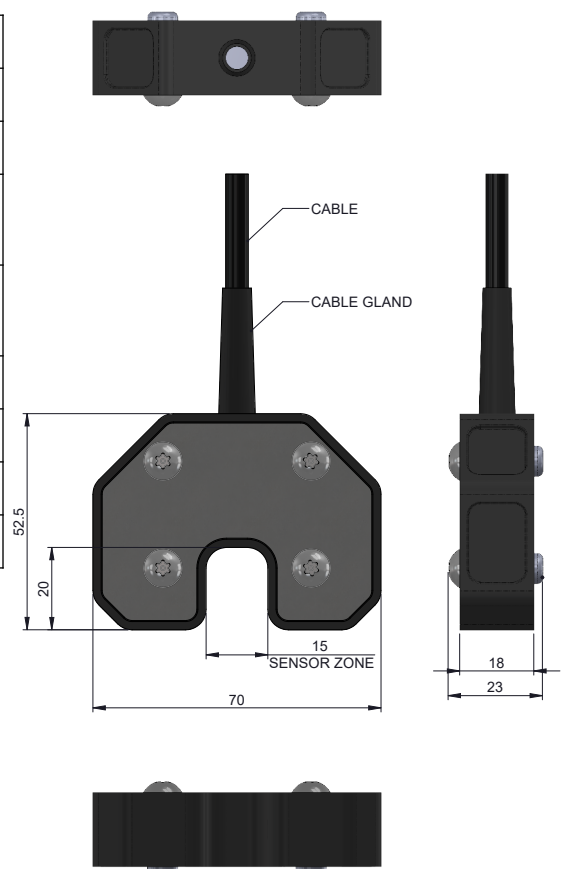
- > Standard cable length: 5M
- > Simple apparatus
- > Compatible with all current Darcy alarms that use the existing style silt probe.

Specifications

Model	PP/PROBE/SILT-1
Dimensions	52.5mm x 70mm x 18mm (max.)
Material	316 Stainless Steel, PA12 Nylon
ATEX Classification	Simple Apparatus (See letter of confirmation)
Cable	5 Core – 0.5mm. Length 5m. Can be extended externally to 200m.
Weight	475 g (including 5m cable)
Operating Temperature	-20°C ... +50 °C (ambient temperature)
Optical Sensor Detection Gap	15 mm
IR Emitter Wavelength	400 nm

If used as a direct replacement for the Darcy PP/14220 silt probe then wiring is as follows:

Old PP/14220	Brown	Green/Yellow	Blue
New PP/Probe/Silt-1	1	4	2,3,5



Email: sales@darcy.co.uk

Call: 0800 0370 899 or +44 (0)1732 762338